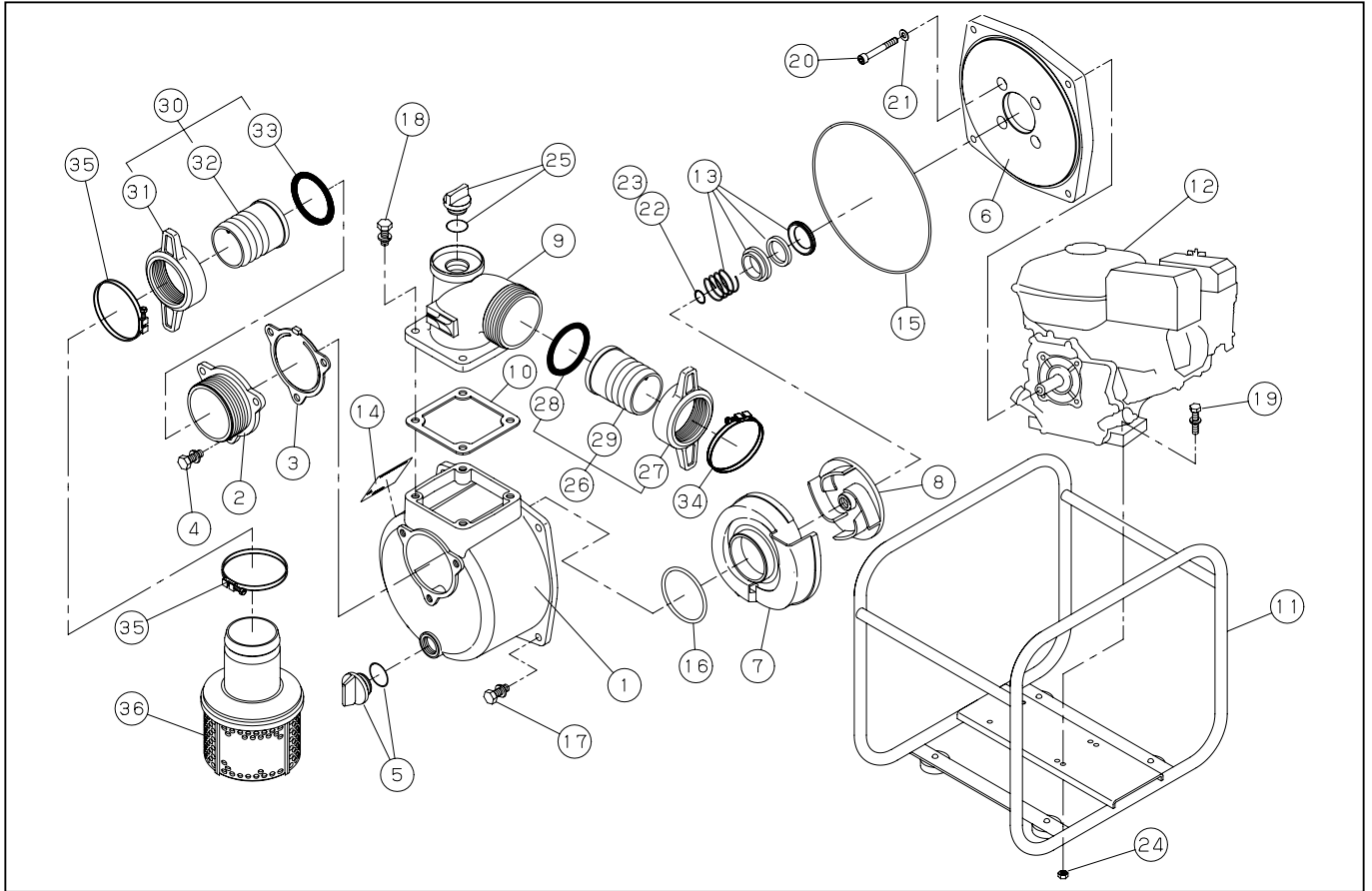


# SERH-50

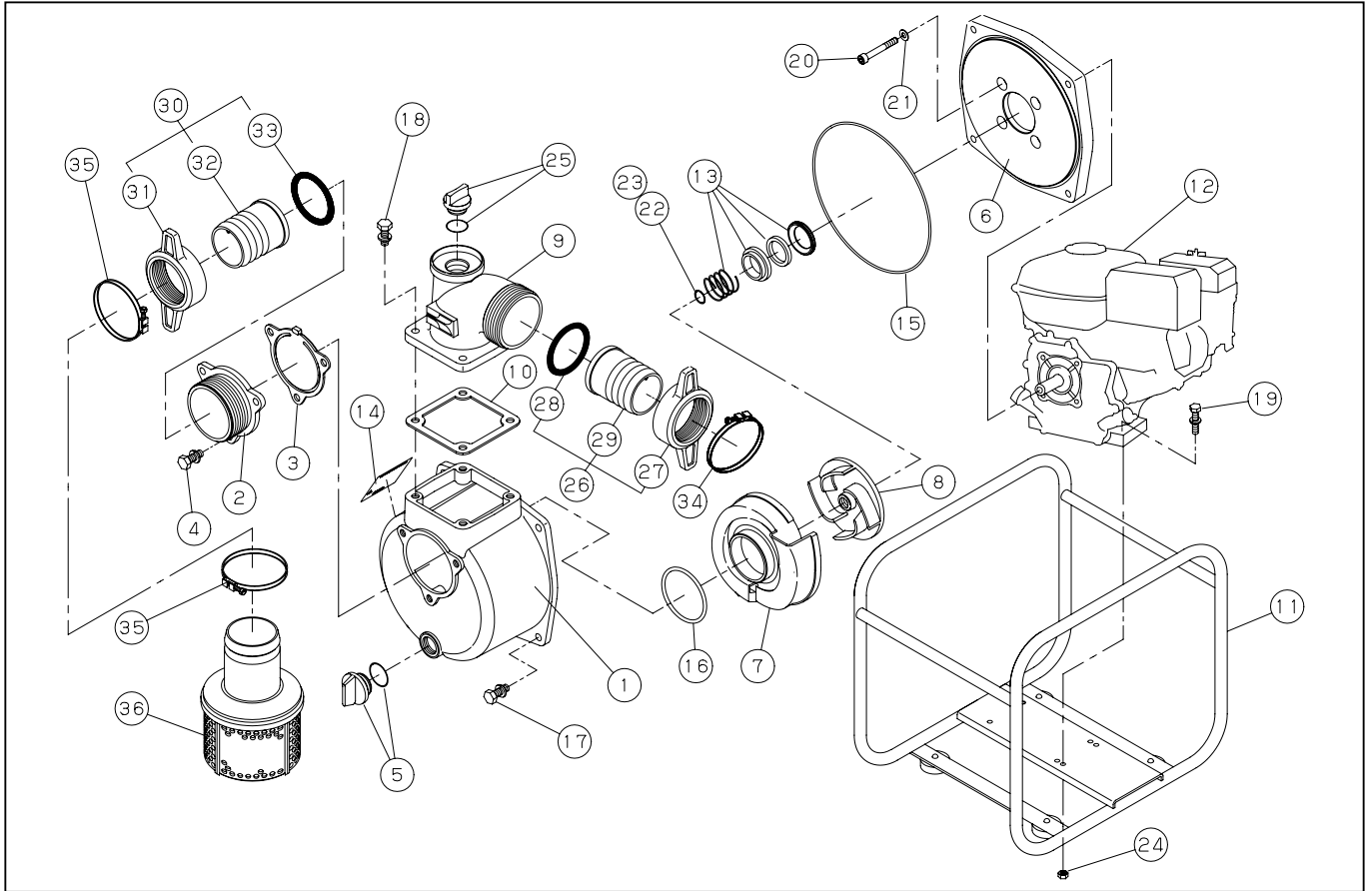


DWG No.012861703 MODEL:SERH-50 FORM:SERH-50-BAB-0

No.	PARTS CODE	PARTS NAME	QTY	MATERIAL	SIZE	REMARKS
1	011418402	PUMP CASING	1	ADC		
2	011400401	SUCTION FLANGE	1	ADC		
3	011279901	CHECK VALVE	1	NBR		
4	743119061	HEXAGON BOLT	3	SWRM	M10X25	
5	011807901	25A PLUG SET	1			
6	011072203	FLANGE BRACKET	1	ADC		
7	011281906	VOLUTE CASING	1	FC-20		
8	011286201	IMPELLER	1	FC-20		
9	011420901	DELIVERY FLANGE	1	ADC		
10	011058402	DELIVERY FLANGE PACKING	1	CR		
11	011745401	BASE SET	1			
12	011573802	HONDA ENGINE(WITH ALART)	1	GX240U1WKT2		
13	011086202	MECHANICAL SEAL	1	HG9A-MN	φ 25	
14	011598002	NAME PLATE	1			
15	011501601	O-RING	1	NBR	1517-51.5	
16	011398901	O-RING	1	NBR	P74	
17	743119078	HEXAGON BOLT	4	SWRM	M12X30	
18	743119063	HEXAGON BOLT	4	SWRM	M10X30	
19	743119067	HEXAGON BOLT	4	SWRM	M10X40	
20	734532076	HEXAGON SOCKET BOLT	4	SCM	M8X60	
21	854255008	SEAL WASHER	4		φ 8	
22	011008101	IMPELLER ADJUSTING WASHER	2		T0.3	
23	011301601	ADJUSTING WASHER	2	BSP	T0.2	
24	827419010	HEXAGON NUT	4	SWRM	M10	
25	011807802	20A PLUG SET	1			
26	011702602	COUPLING SET	1	ABS		
27	011339002	COUPLING	1	ABS		
28	011339101	COUPLING PACKING	1	NBR		
29	011035605	HOSE NIPPLE	1	ABS		
30	011801703	COUPLING SET	1	AC TYPE		

◆ Bare engine can not be supplied

# SERH-50



DWG No.012861703 MODEL:SERH-50 FORM:SERH-50-BAB-0

No.	PARTS CODE	PARTS NAME	QTY	MATERIAL	SIZE	REMARKS
31	011036505	COUPLING	1	AC		
32	011036605	HOSE NIPPLE	1	ABS		
33	011036701	COUPLING PACKING	1	NBR		
34	940019060	HOSE BAND	1		φ 60	
35	940019080	HOSE BAND	2		φ 80	
36	011804603	STRAINER SET	1			
	011598101	PACKING CASE	1			
	011476909	CE OPERATION MANUAL (5LANGS)	1			
	011471806	CE MARK LABEL	1			
	011471302	CAUTION LABEL	1			
	011473401	ENGINE CAUTION LABEL A	1			
	011473501	ENGINE CAUTION LABEL B	1			
	011482009	DECLARATION	1			
	011669901	EU NOISE LABEL (111)	1	PET PET		

◆ Bare engine can not be supplied